

REV HYDRO 6

SPECIFICATION SHEET
ARCHI COLOR™ W+RGB

HIGH LUMEN RECESSED DOWNLIGHT WITH WATERPROOF DESIGN

Housing

Aperture : Ø6" | Oversize Trim : 6.8" | Maximum Ceiling Thickness : 1.5"
Height : 5" | Weight : 7.7 lbs

Material

Housing : Die Cast Aluminum, Glass
Lens : PC, Glass
Trim : Flow Forming Aluminum

Power Input

35W (W=15.5, RGB=19.5) | 120V, 277V

Lumen Output

1,110 lm (35W), W+RGB : 1,300 lm

Dimming

DMX : High resolution dims to 0.1% (Supports ANSI E1.20 RDM protocol)

Color Quality

CRI 85

Rated Life

> 60,000 Hours (L70)

Trim Finish



Black



White



Gray



Bronze



Brushed
Stainless Steel

Color Temperature



3000K

+



Archi-Color™ W+RGB

Optics



45°



55°



Wallwash

Warranty

5 Year limited warranty

Listing



Durable Design, Compact Brilliance.

The REV Hydro series is a waterproof marvel that inherits the revolutionary design of the REV series. Now with an IP65 rating and a robust all-metal body, complemented by a stainless-steel front cover, it is ready to face challenging outdoor environments.

With goof ring options and easy installation, the REV Hydro is flexible, perfectly suited for illuminating outdoor landscapes and enhancing safety in wet areas like pool surroundings.



SPECIFICATION

PROJECT NAME

DATE

CATALOG #

QUANTITY

RH6R	MODEL	REV HYDRO 6 RETROFIT		
35	WATTAGE	35 35W		
308C	CCT / CRI	308C 3000K / CRI 85+RGB		
	VOLTAGE	120 120V	277 277V	
DMX	DIMMING	DMX ¹ DMX dims to 0.1%		
	BEAM ANGLE	45 45°	55 55°	WW Wallwash
	TRIM FINISH ²	BLK Black BRZ ³ Bronze	WHT White BSS Brushed Stainless Steel	GRY ³ Gray
RF	MOUNTING	RF Retrofit		
	ACCESSORIES	CP ⁴ Concrete Pour	NC ⁴ New Construction Panel	AT ^{4,5,6} Airtight
	RATING	OUT ⁷ Outdoor Rating	NAT ⁸ Natatorium Rating	MAR ⁹ Marine Rating

CLEAR FORM

¹ DMX does not feature XLR or RJ45 sockets; connections are bare-wired using three DMX wires
² The trim includes a glass cover and a gasket seal to prevent water ingress from below
³ Long lead time required
⁴ Only one option within this group can be specified
⁵ AT is not compatible with WW option
⁶ Tested in accordance with ASTM E283 to meet air leakage performance standards. Requires specialized installation, including the use of a caulking compound to ensure a properly sealed assembly
⁷ Outdoor Rating: Coating and wiring will be changed to high UV resistant and corrosion resistant materials for long-term operation in outdoor environments
⁸ Natatorium Rating: Utilizes high corrosion-resistant materials for both coatings and sealants to prevent damage from long-term exposure to chlorine vapors
⁹ Marine Rating: Utilizes high corrosion-resistant materials for both coatings and sealants to prevent damage from long-term exposure to saltwater environments

TECHNICAL DETAILS

Electrical

- 1,110 lm (35W), W+RGB : 1,300 lm
- Power Input : 120V or 277V
- Operating Temperature : -20°F~112°F
- Surge Protection : Built-in is 4KV
- Power Factor Greater than 0.9

LED Features

- Color Temperature : 3000K + Archi-Color™ W+RGB
- CRI 85
- Long lasting LED luminaire tested under TM21 lumen maintenance L70 @ 60,000 Hrs

Optics

- PC Lens, Glass
- Beam Angle : 45°, 55°, Wallwash

Advanced Dimming

- Proprietary VX Driver™ is incorporated to all dimming options for video flicker-free lighting
- DMX : High resolution dims to 0.1% (Supports ANSI E1.20 RDM protocol)

Retrofit Housing

- Aperture : Ø6"
- Height : 5"
- Weight : 7.7 lbs
- Material : Die Cast Aluminum, PC, Flow Forming Aluminum, Glass
- Non-IC Rated, insulation must be kept >1ft from housing
- Opening of Mounting Frame : 6" to 6.5" Max
- Oversize Trim : 6.8"
- Maximum Ceiling Thickness : 1.5"
- Light engine, optics, and driver(s) accessible from below ceiling

Warranty

- 5-year limited warranty

Listing

- ETL Wet Location Listed
- FCC
- UKCA
- IP 65
- ASTM E283

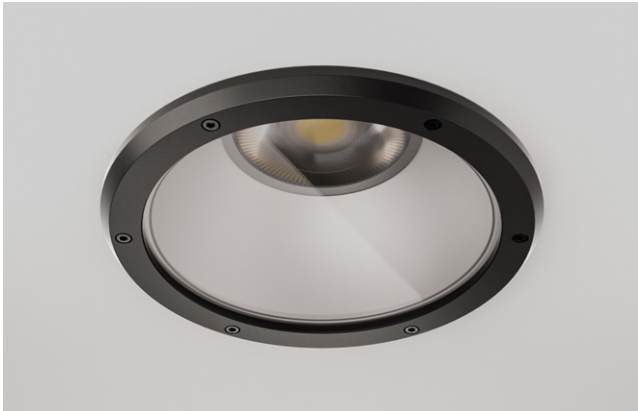
PERFORMANCE SUMMARY*

Delivered Lumens				
CCT/ WATTAGE	R	G	B	W
35W	6.5W	6.5W	6.5W	15.5W
	80lm	420lm	100lm	700lm

Current Consumption		
WATTAGE / VOLT	120V	277V
35W	0.32A	0.12A

*Tolerance ±8%

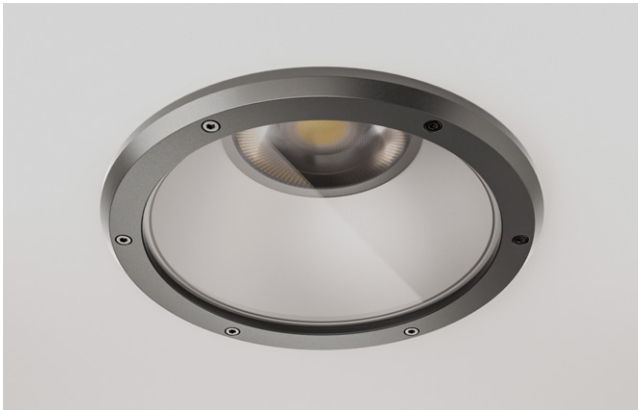
TRIM FINISH



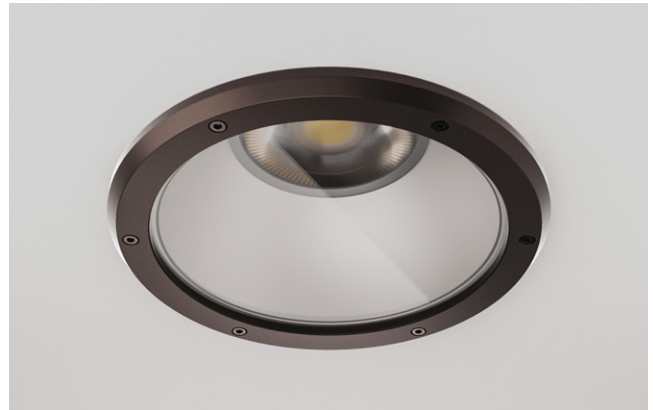
Black Finish



White Finish



Gray Finish



Bronze Finish



Brushed Stainless Steel

DMX REQUIREMENTS

The REV Hydro 6 Archi-Color™ W+RGB fixture with DMX is a **four channel dmx** unit. When placing an order, please indicate DMX address. (The DMX address will be listed on the back of the fixture). Do not connect more than 32 fixtures per DMX daisy chain.

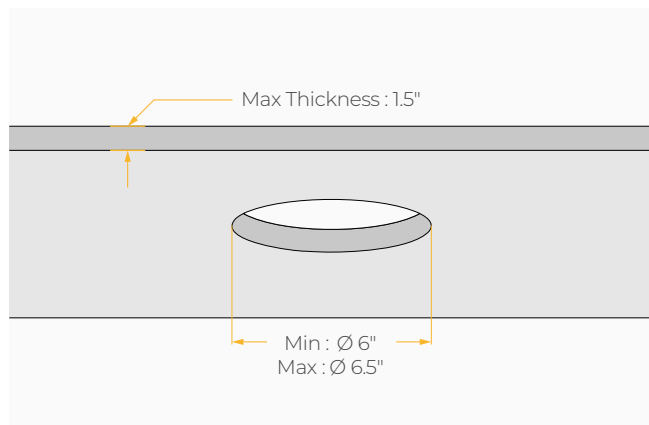
Fixture	DMX Address			
	Red Control (ex. X)	Green Control (ex. X+1)	Blue Control (ex. X+2)	White Control (ex. X+3)
#1	1	2	3	4
#2	5	6	7	8
#3	9	10	11	12

COMPATIBLE DMX CABLING LIST

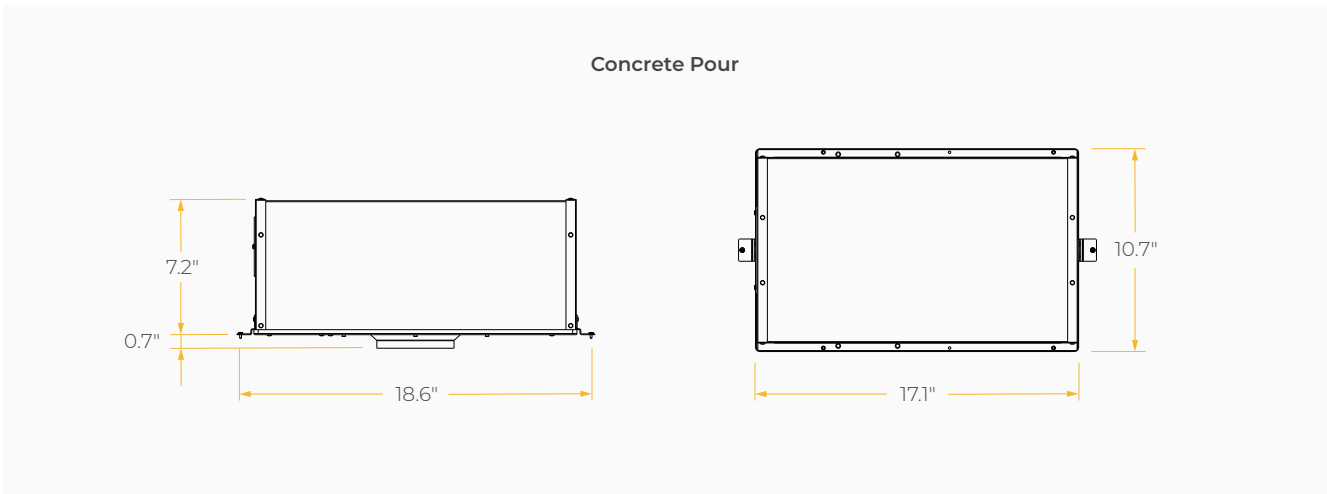
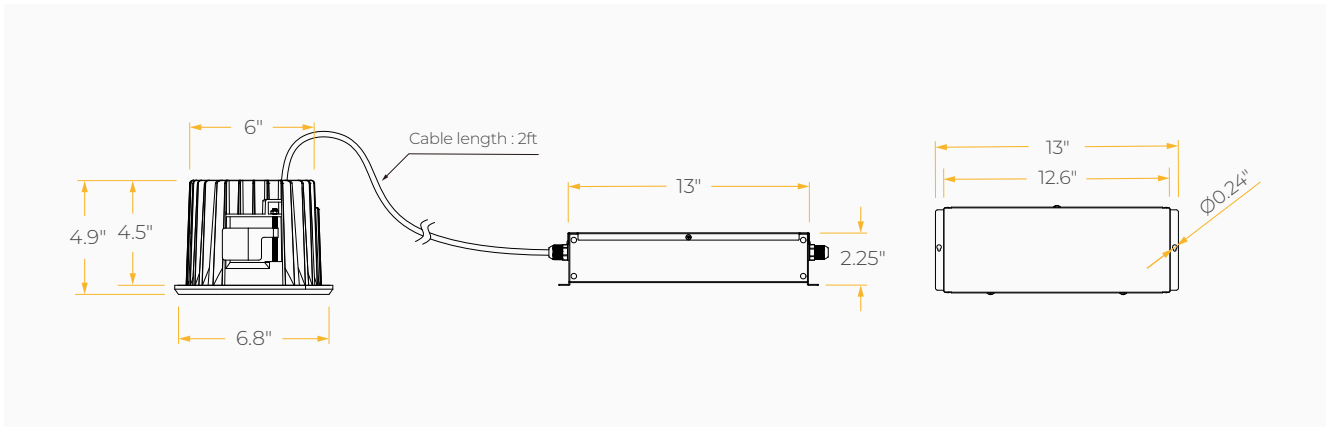
DMX uses a cable consisting of two twisted pairs plus a shield to carry data. The cable must be specifically impedance matched for the digital DMX signal, meaning that microphone cable or other non-rated cable **must not be used to carry DMX**. Network cable (Cat5, 5e or 6 cable) may be used to carry DMX in an installation; however special consideration must be given to shielding and termination. Under no circumstances should solid core cable like Cat5 be terminated into a screw down connector.

Meteor recommends the use of Belden 9729 or Belden 9841 for DMX installation. Belden 9729/9841 is a two pair cable, which allows for a spare pair for 'out and back' type terminations if needed.

DIMENSIONS



DIMENSIONS



DIMENSIONS

New Construction Panel

